

GENT

by Honeywell

4.4: ANCILLARY EQUIPMENT

Electronic Bells

An electronic bell for a wide range of uses.

Metal casing available in red or grey finish.

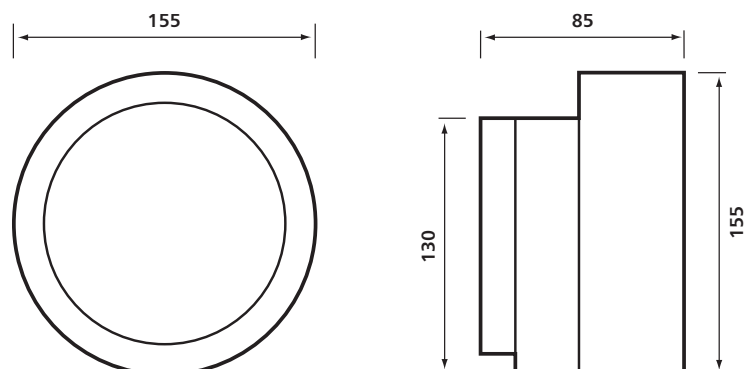
Suitable for semi flush or surface mounting.



Bell

TECHNICAL SPECIFICATION		
Type	24V dc	230V ac
Ingress Protection	Standard IP40	Standard IP41
	Special IP55	Special IP55
Approx Weight	1.1 Kg	1.25 Kg
Operating Temperature	Indoor, -10°C to +50°C	
Sound Output at 1m	93dB(A)	96dB(A)
Current at Nominal Voltage	30mA	30mA
Relevant Standard	EN 54-3	

Dimensions (mm)



ORDER CODES

IP40 24V dc Electronic Bell Red 30mA 93-95 dBA @ 1M	12141-04
IP41 220/240V ac Electronic Bell Grey 30mA	12142-59
IP55 24V dc Weather Resistant Electronic Bell Red 30mA	12143-04